


Snap-In Cable Glands without Thread, Brass

Brass cable glands, without thread

- Easy assembly: push cable gland and turn body clockwise.
- For wall thickness 0,5 mm to 4,0 mm.
- High quality strain relief and sealing, reliable performance for standard industrial applications.
- Easy disassembly (with separate tool).

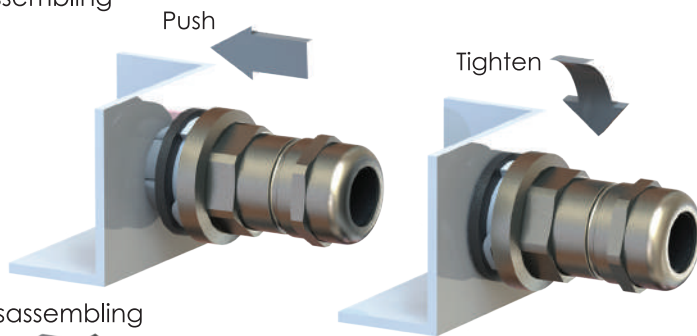
Technical Details

Material	Body, Cap	Brass Nickel plated	
	Seal	CR (Chloroprene)	
	Gasket	CR (Chloroprene)	
	Clamping Insert	PA 6 (Polyamide 6)	
	Lower Body	PA 6 (Polyamide 6)	
Ingress Protection Rating		IP 68 - 5 Bar, 30 min	
		IP 66	
Flammability	V2 according to UL94		
Approvals	The sealing material is UV approved.		
Operating Temperature	Permanent	-20 °C to +100 °C	
	Intermittent	-40 °C to +150 °C	
Cable Type	Non armoured		
Accessories	<ul style="list-style-type: none"> • Dome plugs • Reducing seals • Flat cable seals • Multihole seals • Disassembly tools (one piece included per Minimum Order Quantity) 		
	<ul style="list-style-type: none"> • Different Seal types available. • Manufactured according to DIN EN 62444/50262. • Accessories must be ordered separately. 		

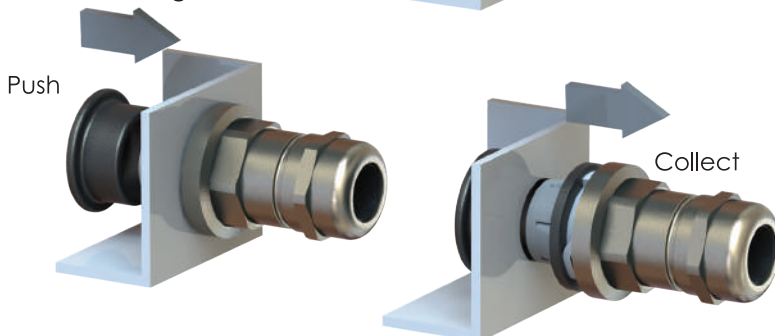
Approvals	Certificate Number	Standards
	SERCOVAM RES 107572	UL514B §8.26.7



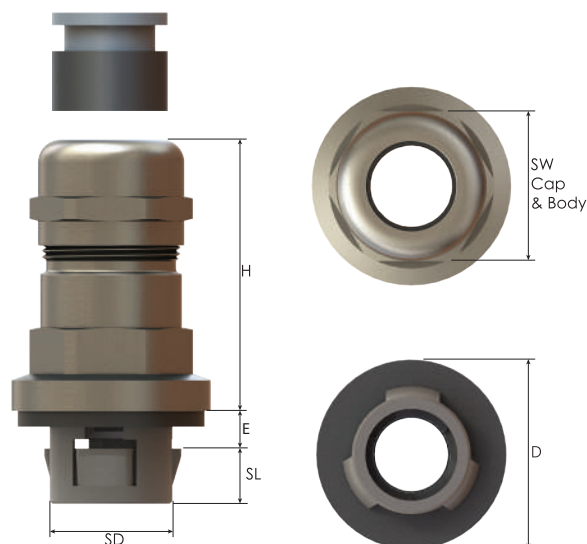
Assembling



Disassembling

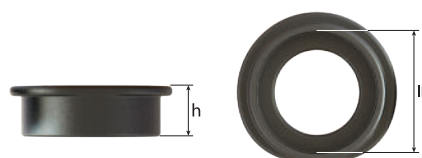
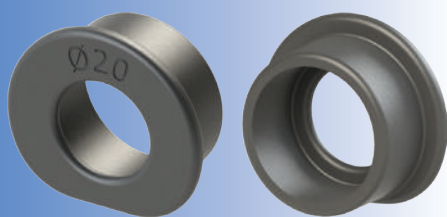


Snap-In Cable Glands without thread, Brass



wall thickness (E) : 0,5 - 4,0 mm

Snap Size	Clamping Range		Snap Length		Enclosure Hole Ø	Spanner Width		Outer Ø	max. Height	Part Number	Minimum Order Quantity
	Ø min-max mm	Seal Type	SL mm	SD mm		SW Cap mm	SW Body mm				
16	3,0 - 7,0	Single	9,0	16,0	16,2 - 16,4	20	20	28,3	47,0	BBOS-11R	300
	5,0 - 10,0	Single	9,0	16,0	16,2 - 16,4	20	20	28,3	47,0	BBOS-11	300
	3,0 - 10,0	Double	9,0	16,0	16,2 - 16,4	20	20	28,3	47,0	BBOS-DS-11	300
20	5,0 - 9,0	Single	9,0	20,0	20,2 - 20,4	22	22	32,3	46,0	BBOS-12R	300
	6,0 - 12,0	Single	9,0	20,0	20,2 - 20,4	22	22	32,3	46,0	BBOS-12	300
	5,0 - 12,0	Double	9,0	20,0	20,2 - 20,4	22	22	32,3	46,0	BBOS-DS-12	300
25	9,0 - 13,0	Single	9,0	25,0	25,2 - 25,4	27	27	38,5	48,0	BBOS-EU-13R	200
	11,0 - 17,0	Single	9,0	25,0	25,2 - 25,4	27	27	38,5	48,0	BBOS-EU-13	200
	8,0 - 17,0	Double	9,0	25,0	25,2 - 25,4	27	27	38,5	48,0	BBOS-EU-DS-13	200
32	11,0 - 15,0	Single	9,0	32,0	32,2 - 32,4	34	34	45,5	56,5	BBOS-EU-14R	100
	15,0 - 21,0	Single	9,0	32,0	32,2 - 32,4	34	34	45,5	56,5	BBOS-EU-14	100
	11,0 - 21,0	Double	9,0	32,0	32,2 - 32,4	34	34	45,5	56,5	BBOS-EU-DS-14	100
40	16,0 - 23,0	Single	13,2	40,0	40,2 - 40,4	43	43	59,0	64,0	BBOS-EU-15R	50
	19,0 - 28,0	Single	13,2	40,0	40,2 - 40,4	43	43	59,0	64,0	BBOS-EU-15	50
	16,0 - 28,0	Double	13,2	40,0	40,2 - 40,4	43	43	59,0	64,0	BBOS-EU-DS-15	50



Snap-In Gland Disassembling Tool

Tool to disassemble Snap-In Glands

Technical Details

Material PA 6 (Polyamide 6)

For Gland Size	Inner Ø	Height	Part Number
	ID mm	h mm	
16	16,0	13,0	BEX-16
20	20,0	13,0	BEX-20
25	25,0	13,0	BEX-25
32	32,0	13,0	BEX-32
40	40,0	15,5	BEX-40